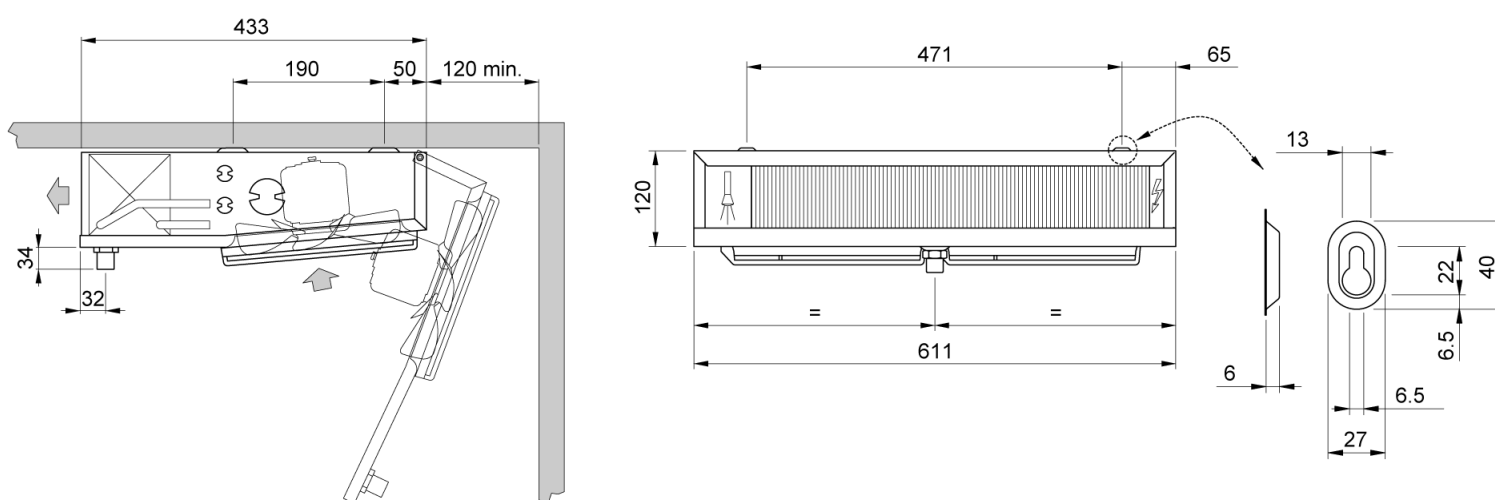


Inlet Air Temperature	[°C]	-18.00	Evaporating temperature	[°C]	-25.00
DT	[K]	7.00	Refrigerant		R404A
Minimum number of units in room		0	Altitude	[m]	0.0
Heat exchanger	Aluminium fin		Casing		Standard
Fan motor feed	Standard		Type of fan motor		AC motors
Defrost	Electric defrosting				
Selected model: 1 x EVS 101/B			ED		
Capacity	[kW]	0.58	Margin	[%]	0.0
DT	[K]	7.0	Tot. air flow	[m³/h]	620.0
Tot. Pres.S.Lev.	[dB(A) @[m]]	41 (5m)			



Weight	kg	6.600	PED Category		Cat I
			Design Pressure PS	[bar]	30
Internal surface	m²	0.32	External surface	m²	2.10
Inlet connection		10 mm	Output connection		10 mm
Total circuit capacity	dm³	0.5	Fin spacing	mm	4.5 / 9
Drain connection		1/2" GAS			
Defrost	ED		Electric defrosting	W	650
Fan Motors	n.	2	Diameter	mm	200
Air flow	m³/h	620	Air throw	m	5.0
Feed	V	230/1/50-60	Rotation speed	rpm	1300
Fan Motor	A	0.70	Absorbed power	W	106
Pres.S.Lev. 5 m.	dB(A)	41			



* The safety requirements for the use of refrigerants must comply with the provisions of the EN378 standards and the safety data sheets of each fluid used. The risk assessment for the use of A2L mid-flammable refrigerants shall be conducted by the user based on site requirements

We shall not be liable for the performance and the quality of sold products, if fitted or connected fan motor speed regulation or control systems are different from the ones proposed or installed by us.

ED

Heat exchanger

Aluminium fin

Casing

Standard

Fan motor feed

Standard

Type of fan motor

AC motors

Defrost

ED - Electric defrosting



* The safety requirements for the use of refrigerants must comply with the provisions of the EN378 standards and the safety data sheets of each fluid used. The risk assessment for the use of A2L mid-flammable refrigerants shall be conducted by the user based on site requirements

We shall not be liable for the performance and the quality of sold products, if fitted or connected fan motor speed regulation or control systems are different from the ones proposed or installed by us.